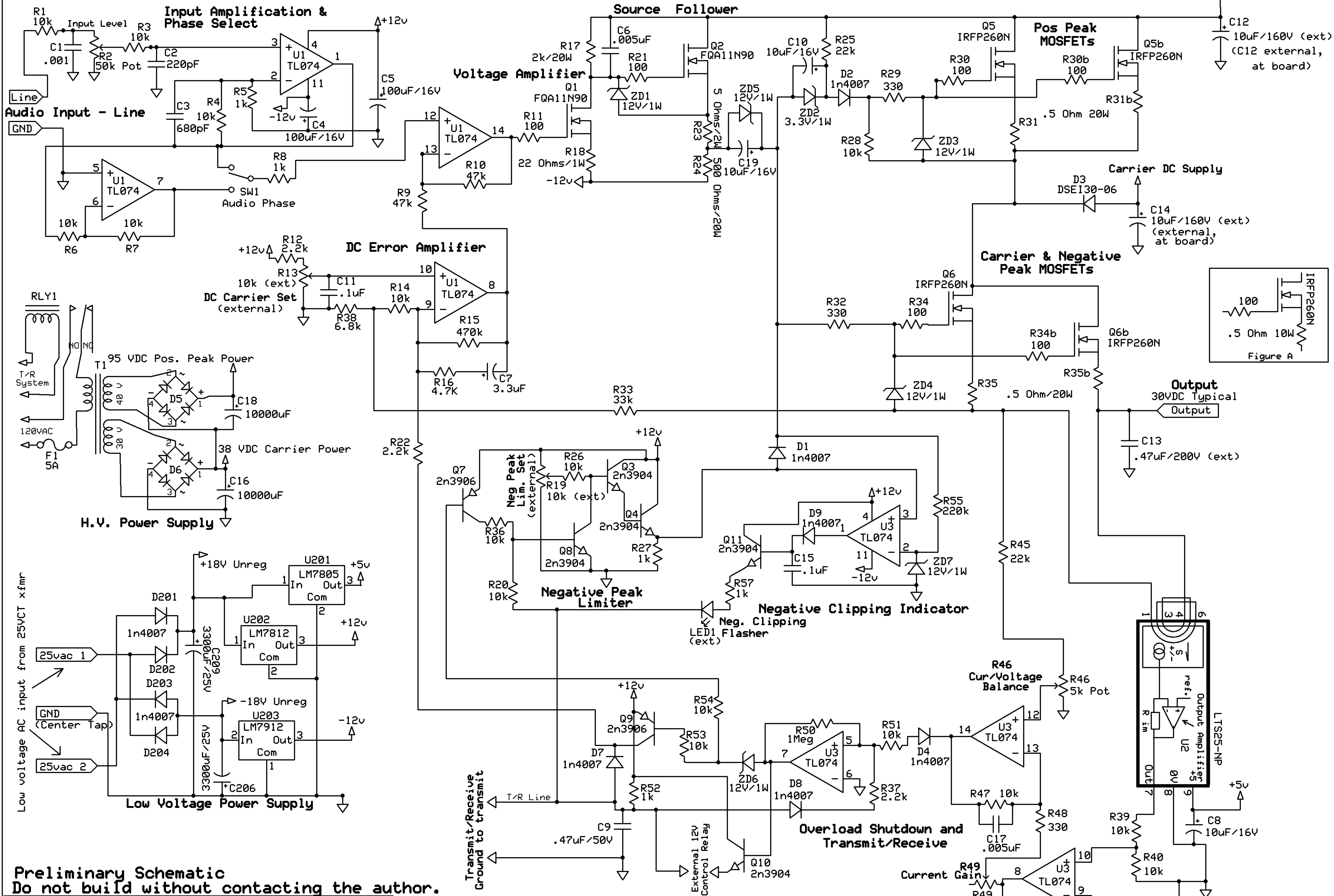


Simple Class H Modulator



Preliminary Schematic
Do not build without contacting the author.

Radio Engineering Associates
Simple Class H Modulator

Simple Class H Modulator. Resistances The modulator power may be expanded by as shown in figure A above. Each MOSFET The power supply shown is one possible available. See www.classerradio.com for including combinations of more than one

are in ohms unless otherwise specified. adding MOSFETs to the Q5 and Q6 banks implementation. The Power Transformer shown is details. Other power transformers may be, transformer.

Use by individual Amateurs for their own equipment is permitted and reproduction, mass production or derivative works are expressly prohibited without written permission of the author.