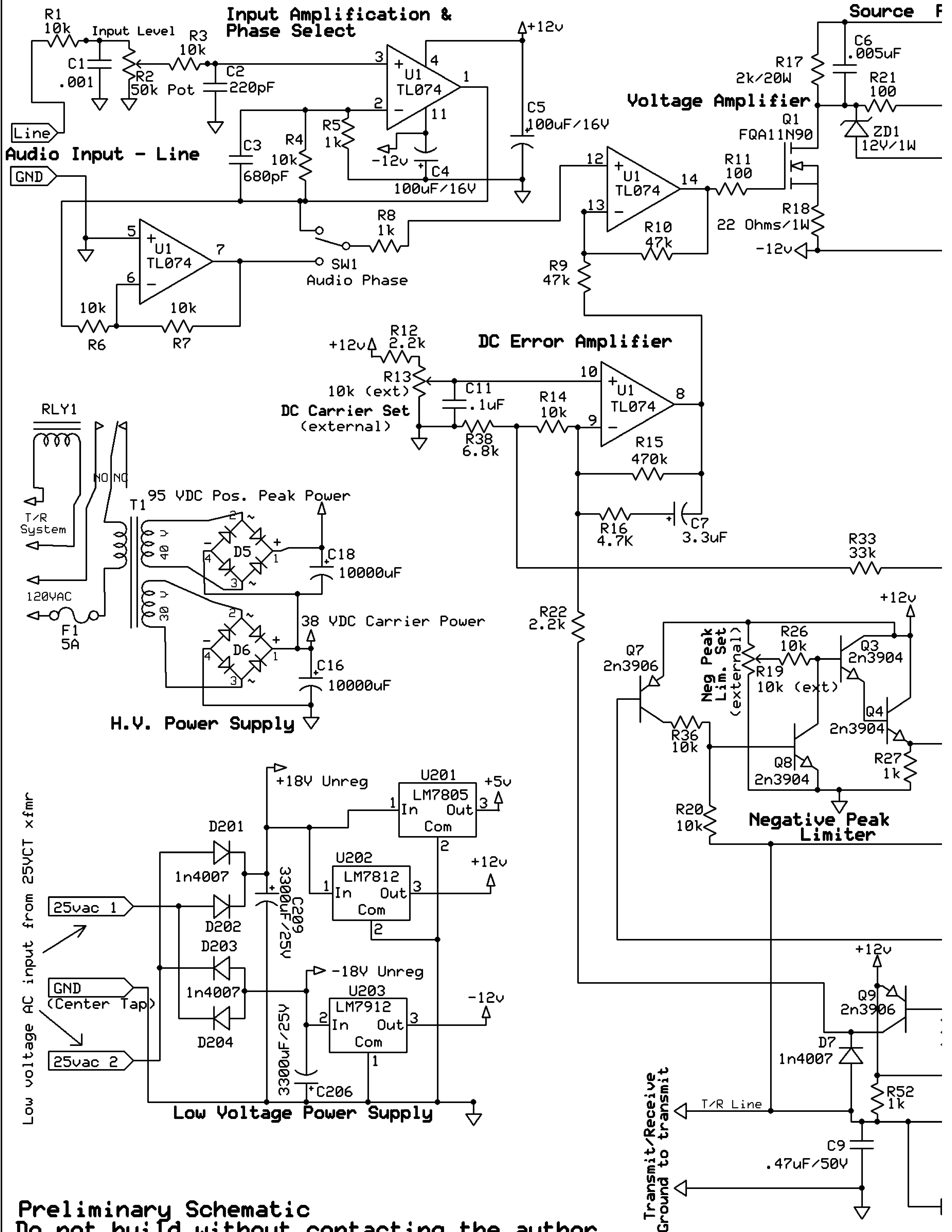


# Simple Class H



**Preliminary Schematic**  
 Do not build without contacting the author.

**Radio Engineering Associates**  
**Simple Class H Modulator**

Simple Class H Modulator. Resistances & values are as shown. The modulator power may be expanded by increasing the MOSFET drain current as shown in figure A above. Each MOSFET is a 2N3904. The power supply shown is one possible configuration. See [www.classerradio.com](http://www.classerradio.com) for more information including combinations of more than one MOSFET.