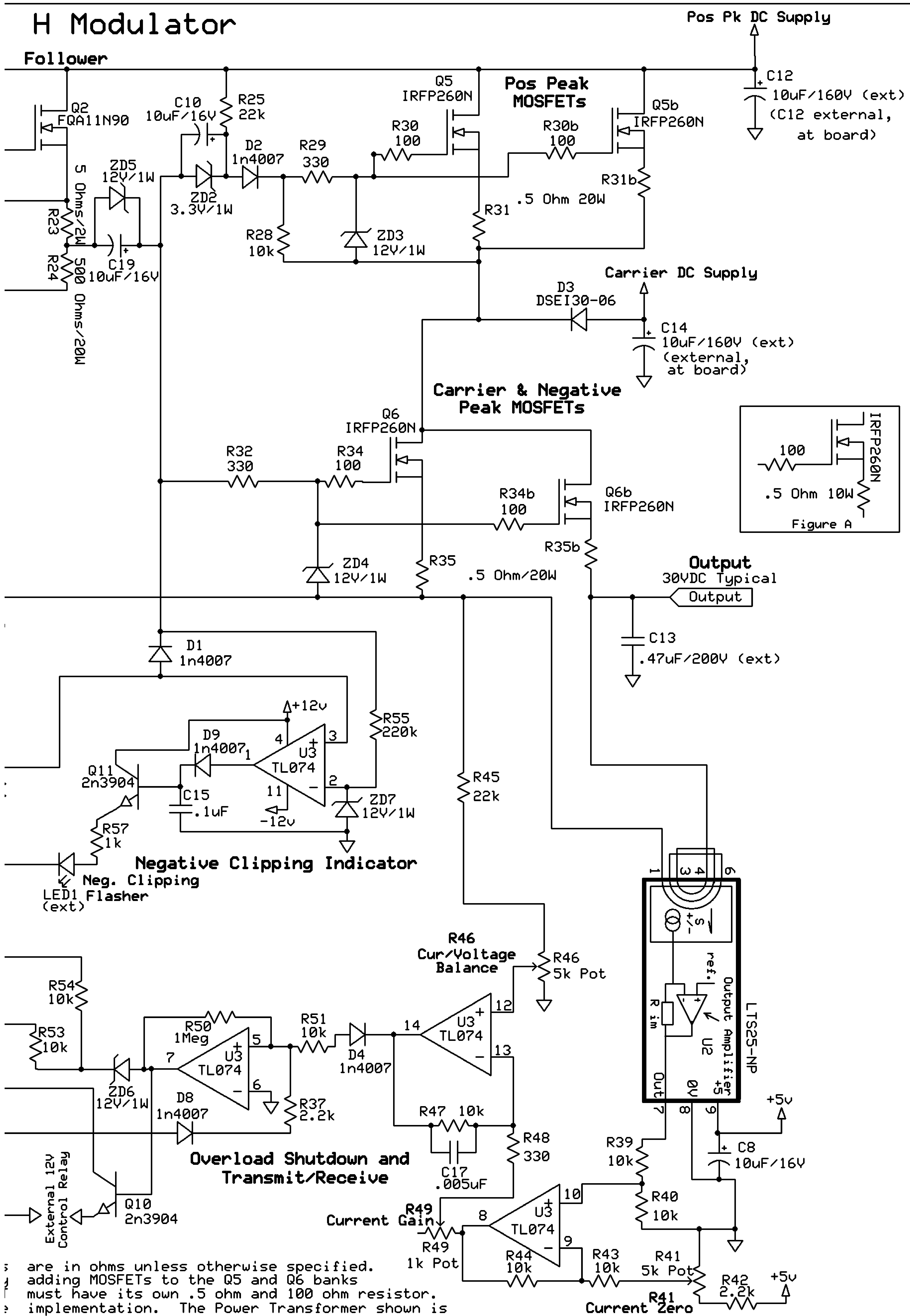


H Modulator



are in ohms unless otherwise specified.
 adding MOSFETs to the Q5 and Q6 banks
 must have its own .5 ohm and 100 ohm resistor.
 implementation. The Power Transformer shown is
 details. Other power transformers may be used,
 transformer.