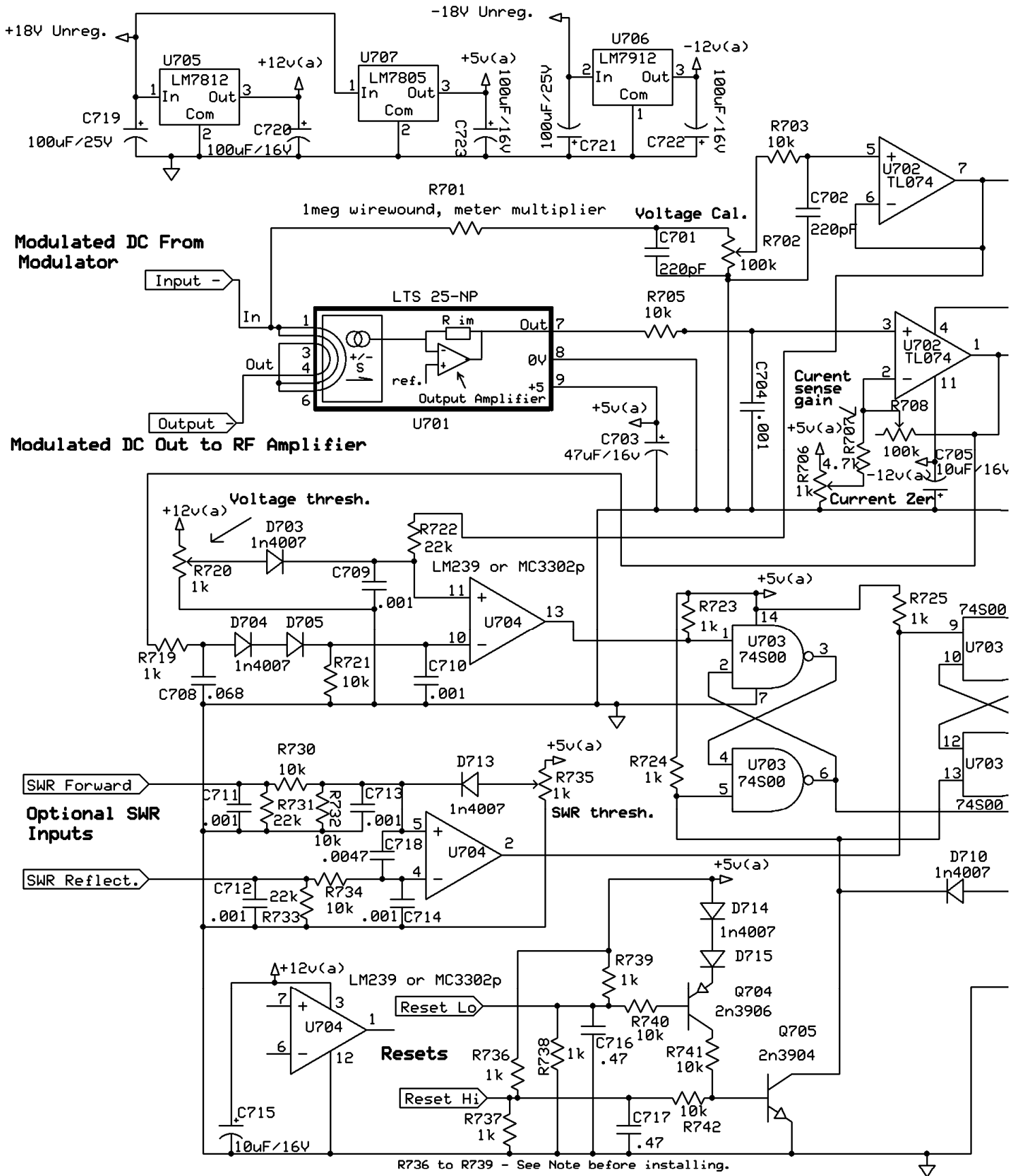


+/- 18VDC Unreg. can come from PWM or class H modulator boards

Overload Detect and



Circuit & Methods Copyright 1998-2006 Radio Engineering Associates
 individuals for their own non-commercial use is permitted and
 duplication, mass production or use for any commercial purpose is

Patent Pending, US Patent & Trade Office.