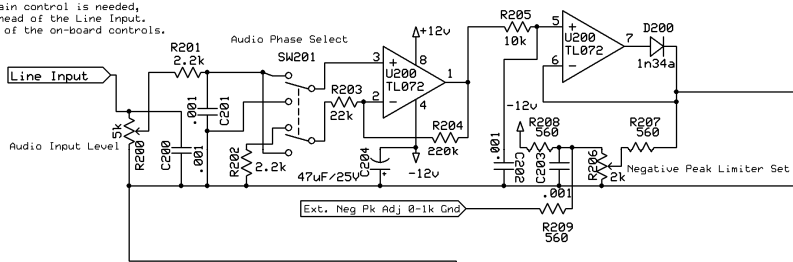
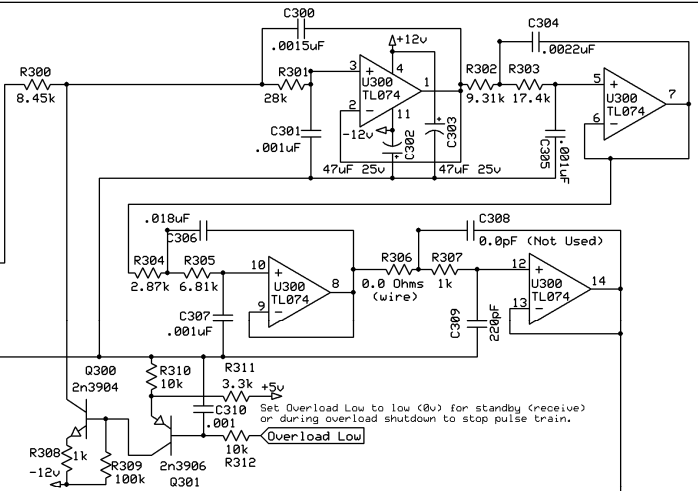


PWM Generator Board

If a front panel or other input gain control is needed, use an additional potentiometer ahead of the Line Input. Do not outboard R200 or any other of the on-board controls.

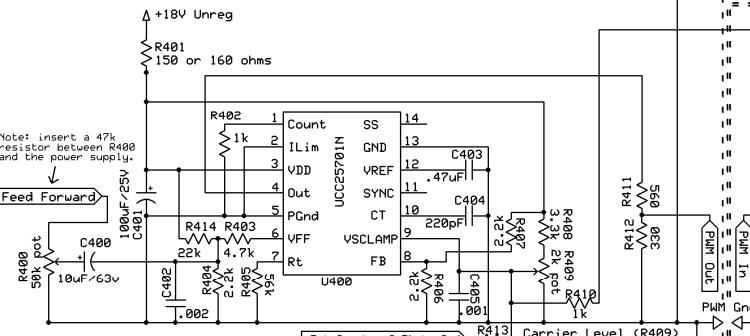


200 - Audio Phase Select and Negative Peak Limiter

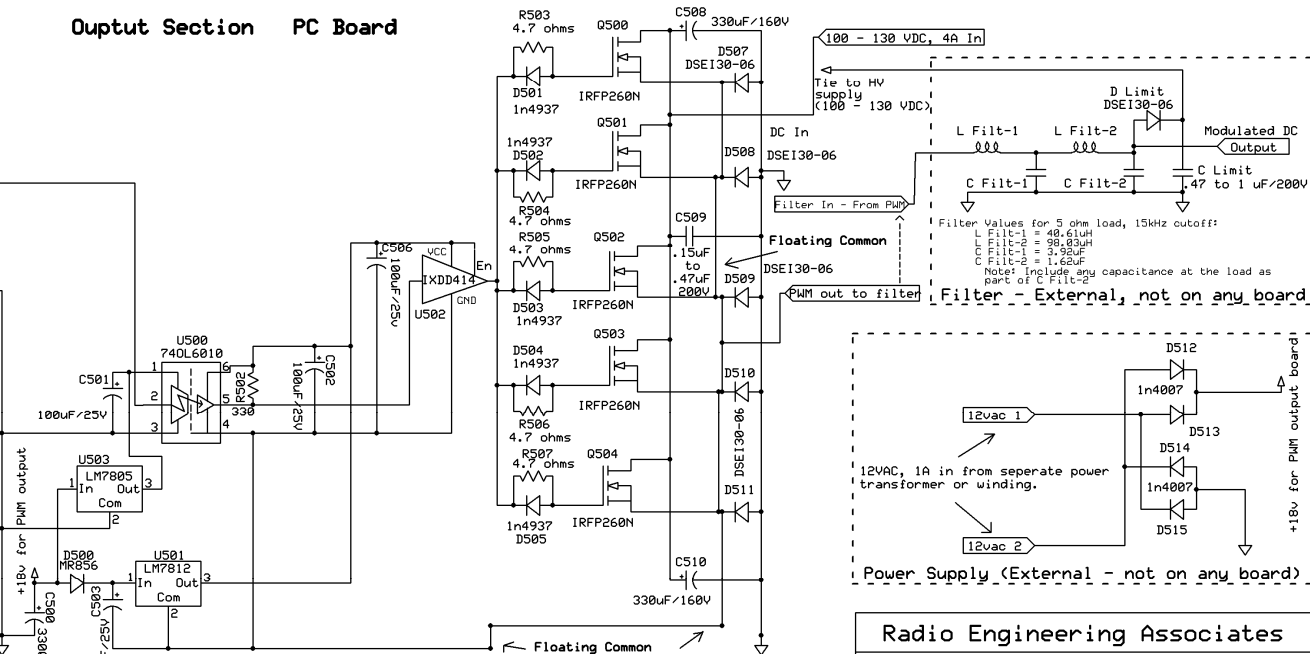


300 - Anti-Aliasing Filter (Main Board) Shown with 6 pole Filter Flat to 5.7kHz - See Text

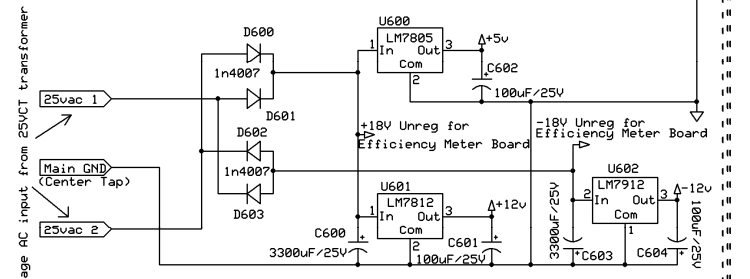
Output Section PC Board



400 Pulse Width Modulation Generator (Main Board)



500 - PWM Output Amplifier (Output Board)



600 Low Voltage Power Supply (Main Board)

Power Supply (External - not on any board)

Circuit & Methods Copyright 1998-2006 Radio Engineering Associates Inc. Use of this circuit by individuals for their own non-commercial use is permitted and encouraged. All other uses, reproduction, duplication, mass production or use for any commercial purpose is prohibited without written permission from the author.

Radio Engineering Associates

Pulse Width Modulator

S. Cloutier	Rev C - 2 2/2007	WA1QIX
-------------	---------------------	--------