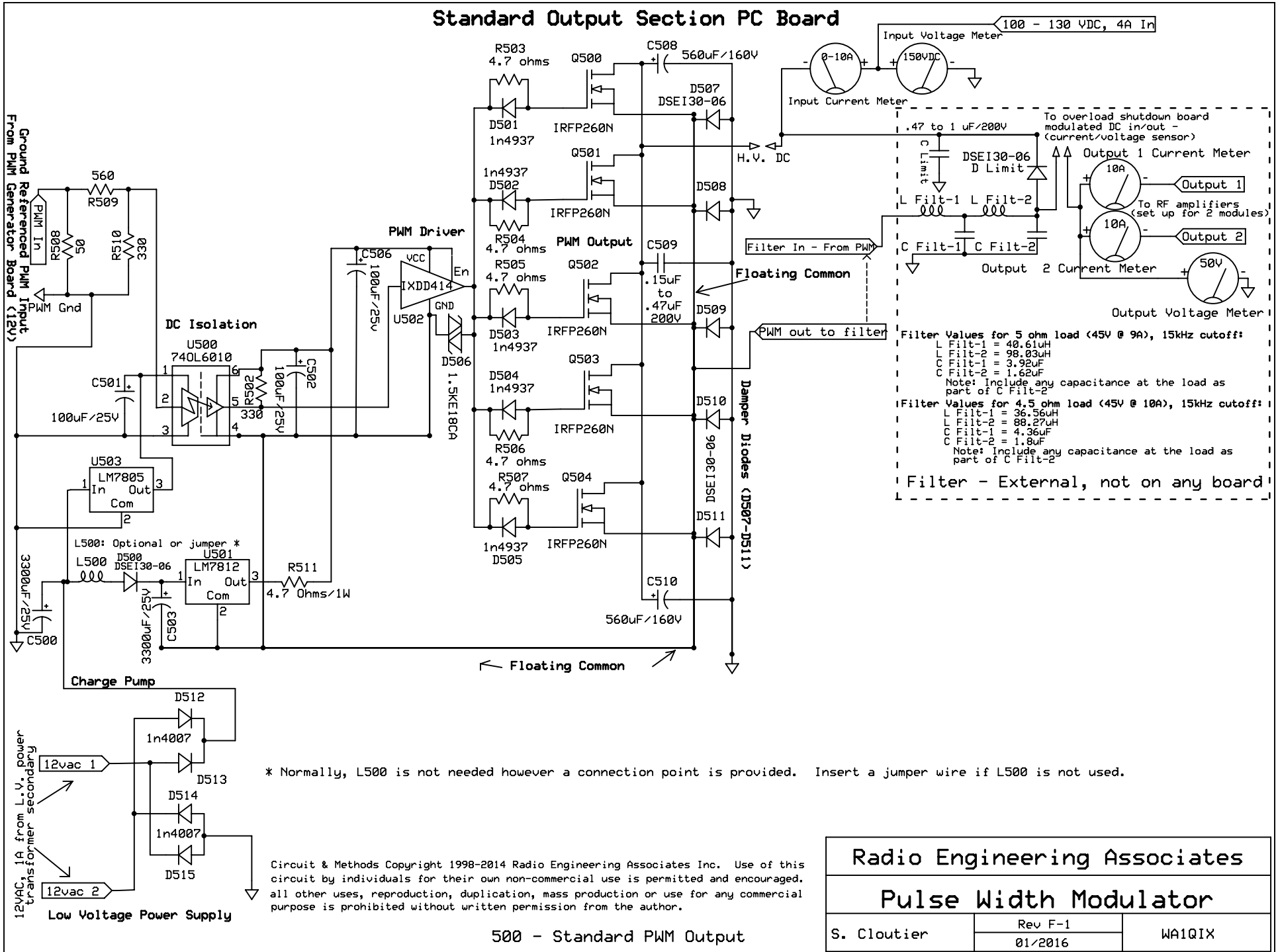


Standard Output Section PC Board



* Normally, L500 is not needed however a connection point is provided. Insert a jumper wire if L500 is not used.

Circuit & Methods Copyright 1998-2014 Radio Engineering Associates Inc. Use of this circuit by individuals for their own non-commercial use is permitted and encouraged. all other uses, reproduction, duplication, mass production or use for any commercial purpose is prohibited without written permission from the author.

Radio Engineering Associates

Pulse Width Modulator

S. Cloutier

Rev F-1
01/2016

WA1QIX

500 - Standard PWM Output